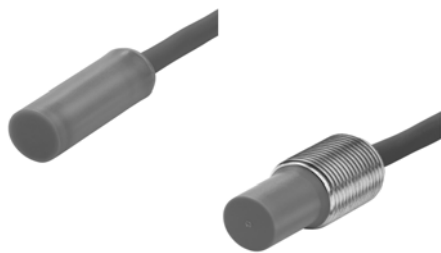


1
.1.1



Proximity Sensors, Inductive Sensors, cylindrical



Properties

- Ø11 mm smooth and threaded housing versions
- 2 mm flush mountable and 5 mm non-flush mountable versions
- DC, NAMUR interface
- Cable version

Your Benefit

- ATEX approved sensor applicable up to zone 0 and zone 20
- Usable up to SIL2 acc. to IEC 61508

Technical Data

For detailed data and product description refer to the data sheets at www.pepperl-fuchs.com

General Data

Switching element function	NAMUR, NC
Nominal voltage	8.2 V (R _i approx. 1 kΩ)
Current consumption	
Measuring plate not detected	≥ 3 mA
Measuring plate detected	≤ 1 mA
Switching frequency	0 ... 3000 Hz
Ambient temperature	-25 ... 100 °C (-13 ... 212 °F)
Protection degree	IP68
Connection type	cable PVC , 2 m



Model Number

		NJ2-11-N	NJ2-11-N-G	NJ5-11-N	NJ5-11-N-G
Rated operating distance	2 mm	●	●		
	5 mm			●	●
Installation	flush	●	●		
	non-flush			●	●
Suitable for 2:1 technology	✓ , Reverse polarity protection diode not required			●	●
Housing material	Stainless steel 1.4305 / AISI 303		●		●
	PVDF	●		●	

Use in the Hazardous Area

		NJ2-11-N	NJ2-11-N-G	NJ5-11-N	NJ5-11-N-G
Use in the hazardous area	see instruction manuals	●	●	●	●
Category	1G; 2G; 3G; 1D; 3D	●	●		
	2G			●	
	2G; 3G; 1D; 3D				●

Approvals and Certificates

		NJ2-11-N	NJ2-11-N-G	NJ5-11-N	NJ5-11-N-G
Control drawing	116-0165F	●	●	●	
UL approval	cULus Listed, General Purpose	●	●	●	●
CSA approval	cCSAus Listed, General Purpose	●	●	●	●
CCC approval	Products with a maximum operating voltage of ≤36 V do not bear a CCC marking because they do not require approval.				

Dimensions

		30	30	31
Length L [mm]				
Diameter D [mm]		11	14	11
Thread length l _t [mm]		0	30	0
Cap length l ₁ [mm]			0	14
Connector area l _c [mm]			0	
LED position			-	

Accessories

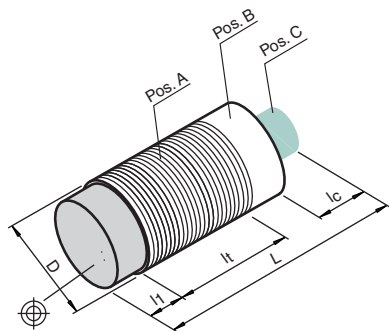
This and more accessories can be found in chapter 10

See pages from 972 ... for cordsets

See pages 1068 ... for mounting aids

BF 11

Mounting flange, 11 mm



Electrical Connection



NJ2-11-N
NJ2-11-N-G
NJ5-11-N
NJ5-11-N-G

